

LIVE

LT 25

Tweeter

- 25 mm (1")
- High quality soft dome tweeter
- N38 neodymium motor

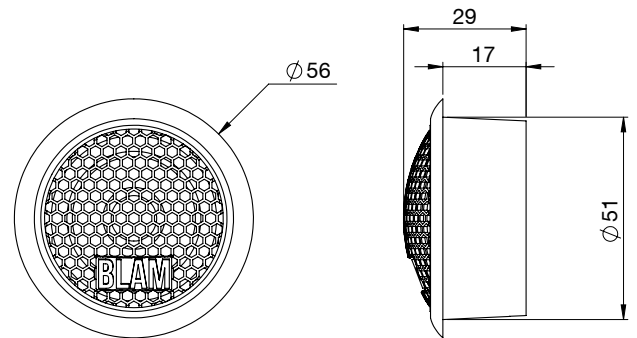
Guy Bonneville
BLAM
DRIVEN BY PASSION



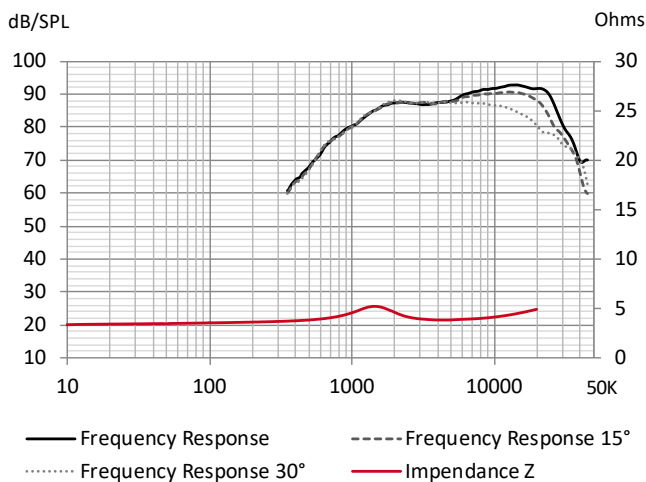
TECHNICAL SPECIFICATIONS

| | | |
|----------------------------------|------------------|------------------|
| Component | Tweeter | |
| Max power | 100 W | |
| Nominal power | 15 W | |
| Impedance | 3 Ω | |
| Freq. Response | 2.5 KHz - 25 KHz | |
| Sensitivity (2,83V/1m) | 91.6 dB | |
| Magnet | Neodymium | |
| Magnet size Ø x h | 18 x 3 mm | 0.709 "x 0.118 " |
| Total driver displacement | - | - |
| Weight of one component | 0.096 kg | 0.212 lb |
| Voice coil Ø | 25 mm | 0.984" |
| Voice coil height | 2 mm | 0.079" |
| Cone | Soft | |

Unit : mm



FREQUENCY RESPONSE / IMPEDANCE



THIELE-SMALL PARAMETERS

| | |
|-----------------------------|----------------------|
| effective Ø (d) | 26 mm |
| Sd | 5.31 cm ² |
| Xmax | - |
| Re | 3.18 Ω |
| Fs | 1501 Hz |
| Le | - |
| L2 | - |
| Vas | - |
| Mms | - |
| Cms | - |
| BL | - |
| Qts | - |
| Qes | - |
| Qms | - |
| Sensitivity (dB/W/m) | 87.6 dB |

contact@blam-audio.fr
www.facebook.com/blamaudio

www.blam-audio.com