

LIVE

Guy Bonneville

BLAM

DRIVEN BY PASSION

LW 165 A

Woofer

- Woofer 6-1/2" (165 mm)
- Max power 140 W / Nom. power 70 W
- Frequency response 55 Hz - 9 KHz
- Impedance 2 Ohms

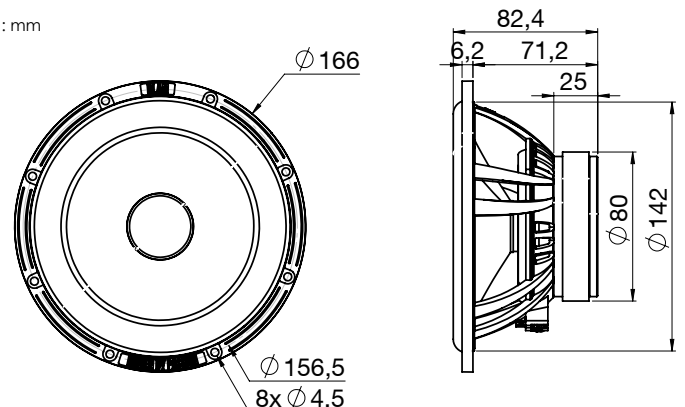
Machined cast aluminium basket - Epoxy resin and glass fiber cone - Butyl rubber surround - Long life "Conex" damper - 28 mm (1.1") voice coil with kapton former - 80 mm x 15 mm (3.1" x 0.6") motor assembly - Thick magnetic circuit (5 mm).



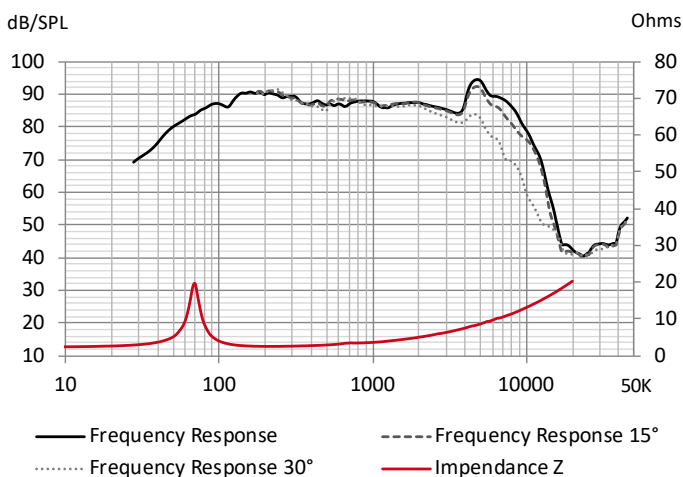
TECHNICAL SPECIFICATIONS

Component	Woofer	
Max power	140 W	
Nominal power	70 W	
Impedance	2 Ω	
Freq. Response	55 Hz - 9 KHz	
Sensitivity (2,83V/1m)	92.8 dB	
Magnet	Ferrite	
Magnet size Ø x h	80 x 15 mm	3.150" x 0.591"
Total driver displacement	0.3 l	0.011 cf
Weight of one component	0.9 kg	1.984 lb
Voice coil Ø	28 mm	1.102"
Voice coil height	11 mm	0.433"
Cone	Glass fiber	

Unit : mm



FREQUENCY RESPONSE / IMPEDANCE



THIELE-SMALL PARAMETERS

effective Ø (d)	130 mm
Sd	132.73 cm ²
Xmax	3 mm
Re	2.19 Ω
Fs	69.59 Hz
Le	199.35 µH @ 1 kHz
Le	234.13 µH @10 kHz
Vas	8.38 L
Mms	15.45 g
Cms	0.000338 m/N
BL	4.22 Tm
Qts	0.74
Qes	0.83
Qms	6.58
Sensitivity (dB/W/m)	87.2 dB

contact@blam-audio.fr

www.facebook.com/blamaudio

www.blam-audio.com