

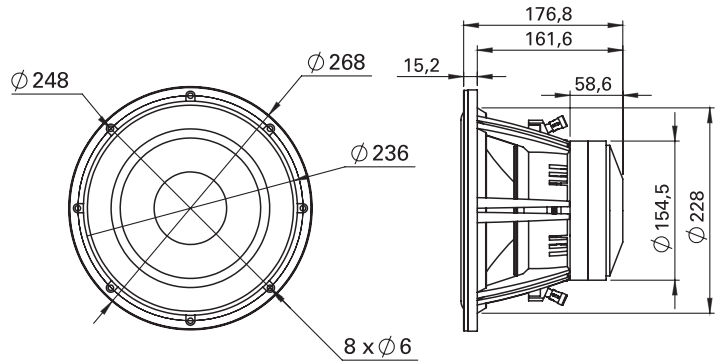
# SUPER SUB 10

## Subwoofer

25 cm (10") dual voice coil subwoofer  
Max. power 800 W

- Max. power 800 W / Nominal Power 400 W
- Frequency response 45 Hz - 500 Hz
- Impedance 2 x 2 Ohms

Die cast basket with machined gasket - Ultra rigid carbon fiber cone  
- Robust foam surround enables controlled long excursion without distortion - "Conex" spider with integrated lead wires - Dual 65,5mm voice coils on fiberglass former - Dual Oversized 156 mm x 20 mm magnetic motor assembly - Machined extended T Yoke - Optimized for 25 liter (.88 cf) bass reflex enclosure (available as an option).

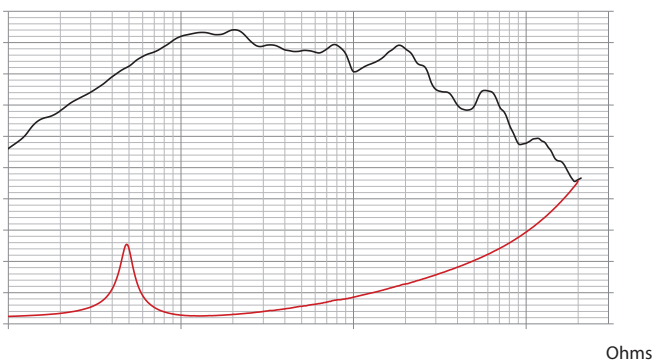


### TECHNICAL SPECIFICATIONS

Component	Subwoofer	
Max power	800 W	
Nominal power	400 W	
Impedance	2 x 2Ω	
Freq. Response	45 - 500 Hz	
Sensitivity (2,83V/1m)	98,3 dB	
Magnet	Ferrite	
Magnet size Ø x h	2 x 156 x 20 mm	6,142" x 0,787"
Total driver displacement	1,7 l	0,06 cf
Weight of one component	2,3 kg	5,071 lb
Voice coil Ø	65,5 mm	2,362"
Voice coil height	24 mm	0,94"
Cone	Carbone fiber	

### FREQUENCY RESPONSE / IMPEDANCE

dB/SPL



### THIELE-SMALL PARAMETERS

effective Ø (d)	205 mm
Sd	330,06 cm <sup>2</sup>
Xmax	7 mm
Re	1 Ω
Fs	52,00 Hz
Le	339,00 µH @ 1 kHz
Le	719,00 µH @ 10 kHz
Vas	13,14 L
Mms	108,60 g
Cms	0,000084 m/N
BL	8,545 Tm
Qts	0,55
Qes	0,59
Qms	6,941
Sensitivity (dB/W/m)	89,3 dB

### RECOMMENDED ENCLOSURES

Internal volume Vb	Internal ø port	Length port	Fb	F-3dB	Boost
15	8 cm	40 cm	52 Hz	50 Hz	1,8 dB at 81 Hz
20	8 cm	30 cm	50 Hz	46 Hz	1,6 dB at 73 Hz
30	8 cm	25 cm	46 Hz	41 Hz	0,5 dB at 49 Hz