

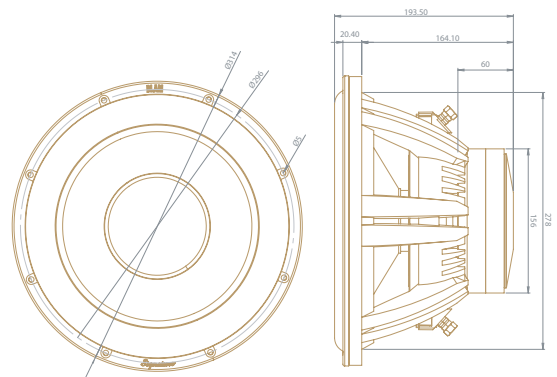
Signature



Driven by passion.

SUPER SUB 12

Subwoofer



30 cm (12"°) dual voice coil subwoofer
Max. power 1000 W

- Max. power 1000 W / Nominal Power 500 W
- Frequency response 30 Hz - 500 Hz
- Impedance 2 x 2 Ohms

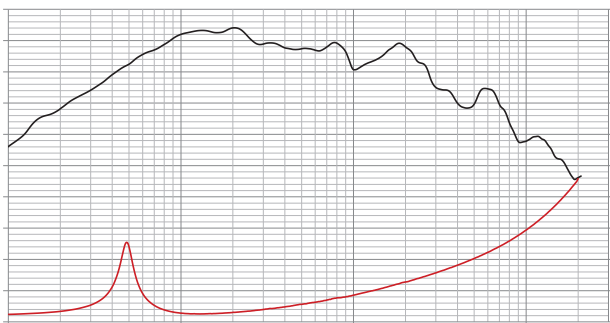
Die cast basket with machined gasket - Ultra rigid carbon fiber cone
- Robust foam surround enables controlled long excursion without distortion - "Conex" spider with integrated lead wires - Dual 65,5 mm voice coils on fiberglass former - Dual Oversized 156 mm x 20 mm magnetic motor assembly - Machined extended T Yoke - Optimized for 30 liter (1,059 cf) bass reflex enclosure.

TECHNICAL SPECIFICATIONS

Component	Subwoofer	
Max power	1000 W	
Nominal power	500 W	
Impedance	2 x 2Ω	
Freq. Response	30 - 500 Hz	
Sensitivity (2,83V/1m)	95,17 dB	
Magnet	Ferrite	
Magnet size Ø x h	2 x 156 x 20 mm	6,142" x 0,787"
Total driver displacement	1,9 l	0,067 cf
Weight of one component	2,3 kg	5,071 lb
Voice coil Ø	65,5 mm	2,579"
Voice coil height	35 mm	1,378"
Cone	Carbone fiber	

FREQUENCY RESPONSE / IMPEDANCE

dB/SPL



Ohms

— Frequency Response — Impedance Z

THIELE-SMALL PARAMETERS

effective Ø (d)	255 mm
Sd	510,71 cm ²
Xmax	12,5 mm
Re	1 Ω
Fs	35,4 Hz
Le	669 µH @ 1 kHz
Le	1,15 mH @10 kHz
Vas	43,05 L
Mms	173,05 g
Cms	0,000117 m/N
BL	9,02 Tm
Qts	0,54
Qes	0,59
Qms	6,72
Sensitivity (dB/W/m)	86,14 dB

RECOMMENDED ENCLOSURES

Internal volume Vb	Internal ø port	Length port	Fb	F-3dB	Boost
20	8 cm	40 cm	56 Hz	52 Hz	3,8 dB at 77 Hz
30	8 cm	30 cm	50 Hz	45 Hz	3,0 dB at 66 Hz
40	8 cm	25 cm	46 Hz	41 Hz	2,4 dB at 60 Hz

contact@blam-audio.fr
www.facebook.com/blamaudio

www.blam-audio.fr