

THESIS



TH due

TECHNICAL SPECIFICATIONS

POWER SUPPLY

Voltage:	11 ÷ 15 VDC
Idling current (@ Dual Power Setting):	2.0 ÷ 7.4 A
Idling current when off:	0.04 mA
Consumption @ 14.4 VDC, 1 Ω,	
Max Musical Power:	105 A
Remote In:	7 ÷ 15 VDC (1 mA)
Remote Out :	12 VDC (20 mA)
Fuse (AFS):	100 A

AMPLIFIER STAGE

Distortion - THD @ 1 kHz, 4 Ω; 90% Power:	0.02 %
Bandwidth @ -3 dB, 2 VRMS, 4 Ω:	5 ÷ 70k Hz
S/N ratio @ A weighted, 1 V, Max Power:	106 dBA
Damping factor @ 1 kHz, 2 VRMS, 4 Ω:	100
Pre-In sensitivity (two ranges):	0.3 ÷ 4.8 VRMS
Pre-In impedance:	15 kΩ
Load impedance (Min @ Dual Power Mode - Hi-Current):	
• 2 Ch	1 Ω
• 1 Ch	2 Ω

Output power (RMS) @ 14.4 VDC, 1% THD:

Dual Power Mode - Hi-Current:	
• 2 Ch @ 4 Ω	300 W x 2
• 2 Ch @ 2 Ω	500 W x 2

• 2 Ch @ 1 Ω	750 W x 2
• 1 Ch @ 4 Ω	1000 W x 1
• 1 Ch @ 2 Ω	1500 W x 1
Dual Power Mode - A Class:	
• 2 Ch @ 4 Ω	80 W x 2

CEA SPECIFICATIONS

Output power @ 4 Ω,	
≤ 1% THD+N, 14.4 V:	300 W x 2 Ch
SN ratio (ref. 1 W output):	80 dBA

ASC (Audison Status Controller) FUNCTIONS

AMP IDentifications, DUAL POWER settings, AD Link inputs, AC Link digital bus, DRC controls, ACNet software, Status Monitor, Protections

INPUTS / OUTPUTS / FILTERS

Inputs:	PRE - S/PDIF (Max 192 kHz/24 bit) Optical and AD Link
Outputs:	PRE Bypass / AD Link
Filters:	Removable kit: (Hi-pass / Lo-pass / Bandpass 12/24dB) 32 steps 18 ÷ 7.5k Hz with 8 standard & 2 customizable modules

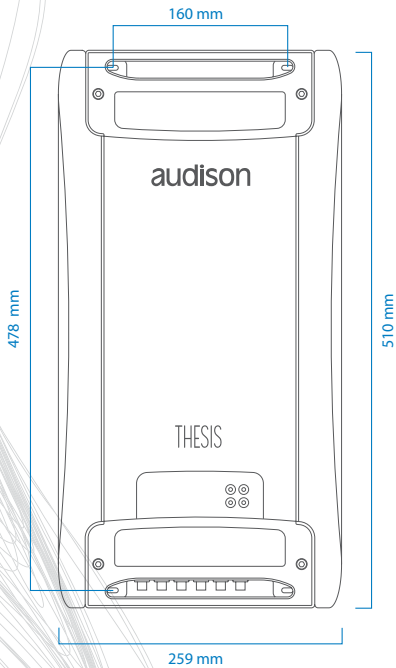
SIZE

B x L x H mm/inch	259 x 510 x 67
	10 ^{*1/4} x 20 ^{*1/8} x 2 ^{*11/16}
Weight kg/lb:	10,3 kg / 22.71 lb

Version 02

audison

AMPLIFIER TH due



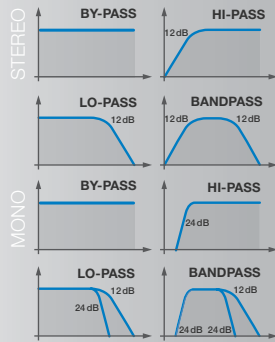
CROSSOVER MODULES

ITEM	VALUES
SS1:	18-22-27-33 Hz
SW1:	42-50-60-75 Hz
SW2:	90-110-130-150 Hz
WM1:	180-220-270-330 Hz
WM2:	420-500-600-750 Hz
WT1:	880-1k1-1k3-1k5 Hz
WT2:	1k8-2k2-2k7-3k3 Hz
MT1:	4k2-5k0-6k0-7k5 Hz

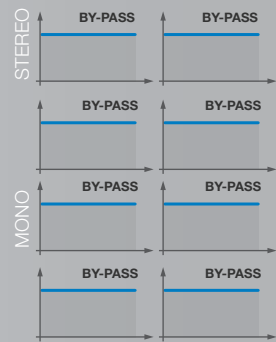
DUAL POWER SETTINGS

SET	BIAS	POWER	MIN LOAD
A Class	Very High	Normal	4Ω
Hi-AB Class	High	High	4Ω
Hi-Current	Standard	High	4-2-1Ω
Energy Saving	Low	Normal	4-2-1Ω

AMP

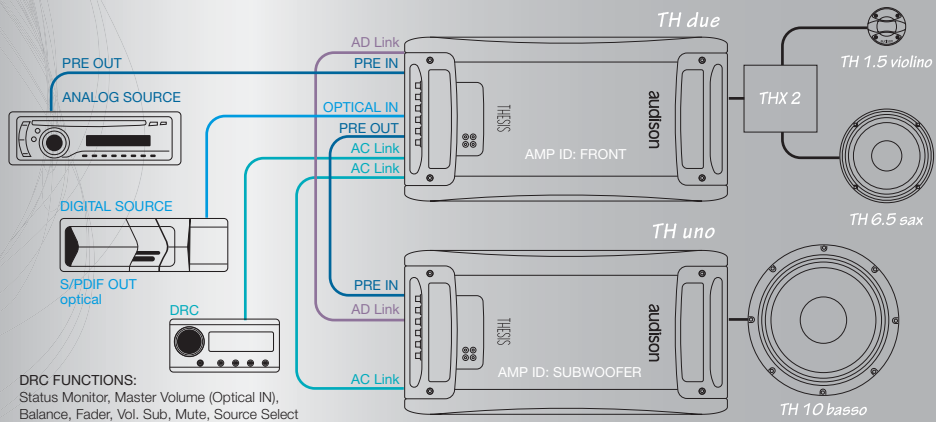


PRE OUT



SYSTEM DESIGN EXAMPLE

2 WAY FRONT + SUBWOOFER INPUTS ANALOG + DIGITAL



Version 02

audison