

SUPERRELAX

BLAM
FRENCH SOUND

Driven by passion.

T1025

Tweeter

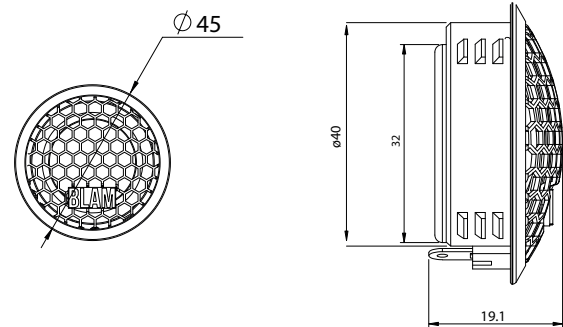
- 25 mm (1") ultra compact soft dome tweeter
- Tooling and compact design created by BLAM
- High efficiency magnet (N38H neodymium)
- High quality special soft dome material



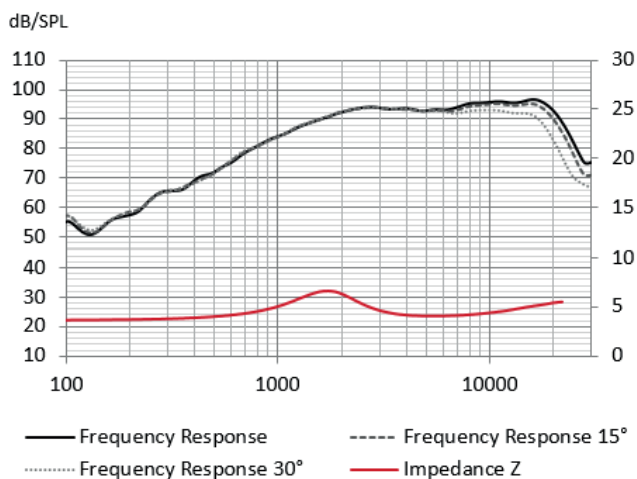
TECHNICAL SPECIFICATIONS

Component	Tweeter	
Max power	100 W	
Nominal power	20 W	
Impedance	4 Ω	
Freq. Response	3.2 KHz - 22 KHz	
Sensitivity (2.83 V/1m)	92 dB	
Magnet	Neodymium	
Magnet size Ø x h	24,5 x 3 mm	0.965" x 0.118"
Total driver displacement	-	
Weight of one component	0.06 kg	0.13 lb
Voice coil Ø	25,4 mm	0.961"
Voice coil height	2 mm	0.079"
Dome	Soft	

Unit : mm



FREQUENCY RESPONSE / IMPEDANCE



THIELE-SMALL PARAMETERS

Effective Ø (d)	25 mm
Sd	4.9 cm ²
Xmax	-
Re	3.6 Ω
Fs	1600 kHz
Le	-
L2	-
Vas	-
Mms	-
Cms	-
BL	-
Qts	-
Qes	-
Qms	-
Sensitivity (dB/W/m)	92.4 dB

contact@blam-audio.fr
www.facebook.com/blamaudio

blam-audio.com