

Signature

Multix Barrel

BLAM

FRENCH SOUND

Driven by passion.

T28 S

28 MM (1") SOFT DOME TWEETER

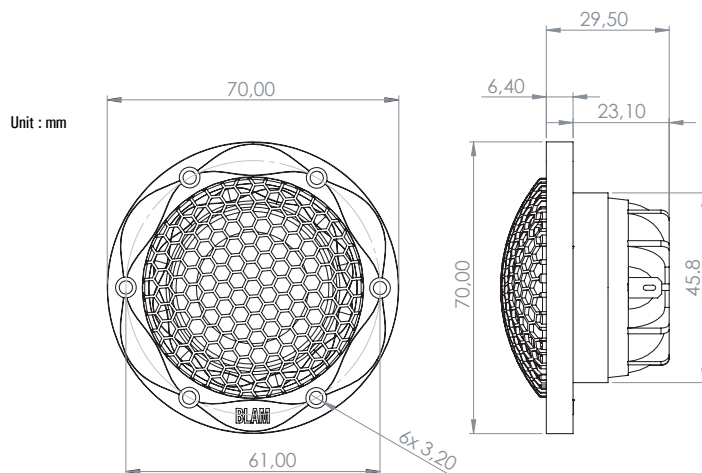
A T28S soft dome version for smooth response and homogeneous sound dispersion without aggressiveness. Its natural sound adapts to a wide range of musical styles.

- 28 mm (1") silk dome tweeter
- High efficiency neodymium magnet with rear chamber
- High precision machined aluminium front plate easy to install
- Sound transparent protective grill

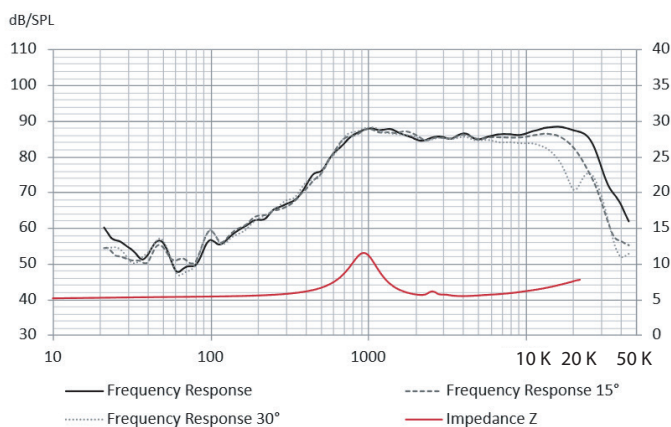


TECHNICAL SPECIFICATIONS

| Component | Tweeter | |
|---------------------------|------------------|-----------------|
| Max power | 80 W | |
| Nominal power | 40 W | |
| Impedance | 6 Ω | |
| Freq. Response | 1.5 kHz - 30 KHz | |
| Sensitivity (2,83V/1m) | 88.3 dB | |
| Magnet | Neodymium | |
| Magnet size \varnothing | 27 x 3 mm | 1.063" x 0.118" |
| Weight of one component | 0.12 kg | 0.265 lb |
| Voice coil \varnothing | 28 mm | 1.102" |
| Voice coil height | 2 mm | 0.079 " |
| Dome | Soft dome | |



FREQUENCY RESPONSE / IMPEDANCE



THIELE-SMALL PARAMETERS

| | |
|-----------------------------|-------------------|
| Effective \varnothing (d) | 0 mm |
| Sd | 9 cm ² |
| Xmax | 0 |
| Re | 5 Ω |
| Fs | 943.36 Hz |
| Le | - |
| L2 | - |
| Vas | - |
| Mms | - |
| Cms | - |
| BL | - |
| Qts | - |
| Qes | - |
| Qms | - |
| Sensitivity (dB/W/m) | 86.3 dB |

contact@blam-audio.fr
www.facebook.com/blamaudio

blam-audio.com